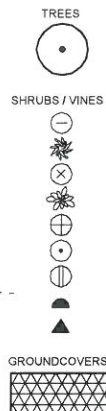


**PLANTING LEGEND:**

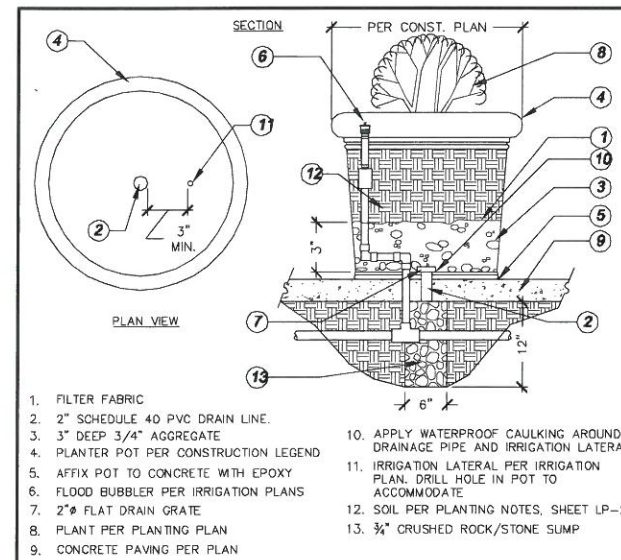
BOTANIC NAME	COMMON NAME	SIZE / SPACING	QNTY	WUCOLS	DETAIL
CERCIDIUM FLORIDUM	BLUE PALO VERDE	15 GAL	5	LOW	'A', LP-2
ANIGOZANTHOS 'BUSH GOLD'	YELLOW KANGAROO PAW	1 GAL	21	LOW	'C', LP-2
ARBUS UNEDO 'ELFIN KING'	DWARF STRAWBERRY TREE	5 GAL	5	LOW	'C', LP-2
CISTUS 'SUNSET'	ROCKROSE	5 GAL	12	LOW	'C', LP-2
LAGERSTROEMIA 'DWARF RED'	DWARF CRAPE MYRTLE	5 GAL	3	LOW	'C', LP-2
LANTANA 'RADIATION'	LANTANA	5 GAL	3	LOW	'C', LP-2
LEUCOPHYLLUM FRUTESCENS	TEXAS RANGER	5 GAL	3	LOW	'C', LP-2
TEUCRIUM CHAMAEDRYIS	GERMANDER	1 GAL	62	LOW	'C', LP-2
MACFADYENA UNGUIS-CATI	CAT'S CLAW VINE	1 GAL	8	LOW	'D', LP-2
PARTHENOISSUS TRICUSPIDATA	BOSTON IVY	1 GAL	7	MEDIUM	'D', LP-2
MYOPORUM PARVIFOLIUM 'PINK'	PINK MYOPORUM	FLATS/36" O.C.	30	LOW	'B', LP-1



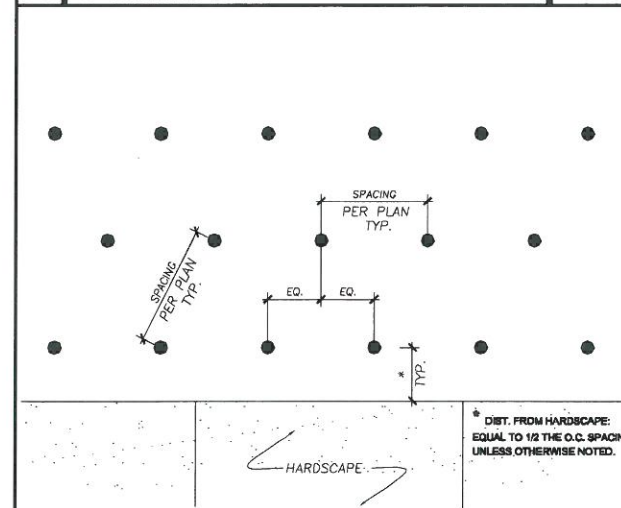
ALL TREES WITHIN 6' OF HARDSCAPE TO RECEIVE LINEAR ROOTBARRIER PER DETAIL 'B'. SHEET LP-2  
 ALL PLANTER AREAS TO RECEIVE A 3" MINIMUM DEPTH LAYER OF SHREDDED WOOD BARK MULCH  
 NO CHANGES OR SUBSTITUTIONS TO BE MADE WITHOUT REVISION TO THE PLANS AND  
 APPROVAL BY THE COUNTY LANDSCAPE PLANNERS

**PARKING LOT SHADING**

PARKING AREA	3175 S.F.
TREE SHADED AREA	1220 S.F.
PERCENT OF PARKING SHADED	38%



**A | Planter Pot** SCALE: N.T.S.



**B | Groundcover Spacing** SCALE: N.T.S.

**COMMUNITY WORKS DESIGN GROUP**  
 LANDSCAPE ARCHITECTURE  
 4649 Brockton Ave.  
 Riverside, CA 92506  
 Phone: (951) 369-0700  
 Fax: (951) 369-4039  
 www.comworksgd.com

**RIVIERA RESTAURANT IMPROVEMENTS**  
 RIVERSIDE COUNTY EDA  
 1325 SPRUCE ST. SUITE 400  
 RIVERSIDE, CA 92507

JOB NUMBER: 081046  
 DRAWN BY: KCK  
 CHECKED BY: TIM  
 DATE: 9/22/11

REVISIONS:


REGISTERED LANDSCAPE ARCHITECT  
 Andrew Steen  
 Signature: [Signature]  
 10/21/11  
 Revised Date: 9/22/11  
 State of California

**PLANTING PLAN**

SCALE: 1"=10'-0"

**DIGALERT**  
 Call 2 Full Working Days in Advance